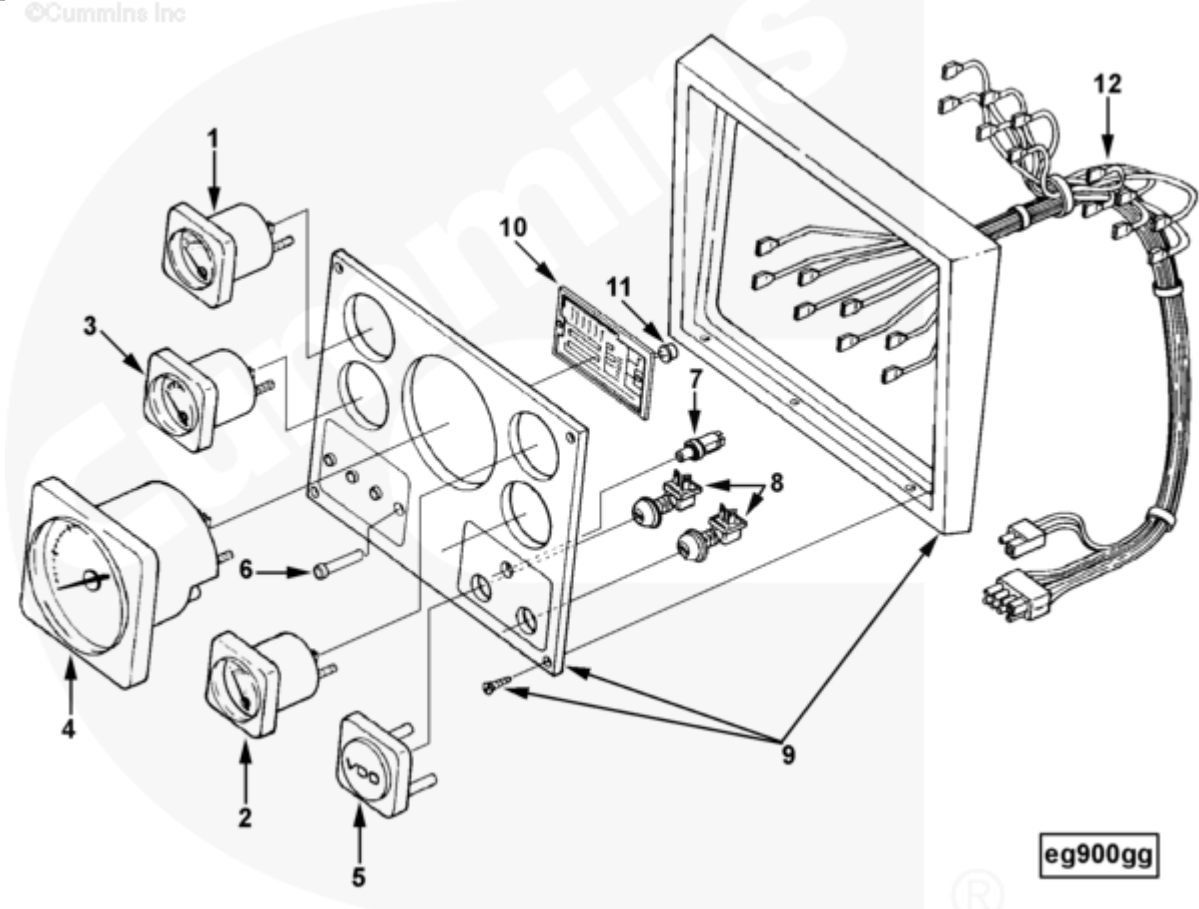




Parts Catalog - Option Detail

Electronic Parts Catalog - Option Detail				
Option	Group	Graphic	Film Card	Date
EG9065	15.08	eg900gg	T	05-JUN-89
Engines	4B3.9, 6A3.4, 6B5.9, B GAS INTERNATIONAL CM556, B4.5, B4.5 CM2350 B129B, B4.5 CM2350 B146C, B4.5 CM2350 B147B, B4.5 RGT, B4.5S, B5.9 G, B5.9 GAS PLUS CM556, B5.9 LPG, B5.9 LPG PLUS CM556, B6.7 CM2350 B121B, B6.7 CM2350 B135B, B6.7 CM2350 B136C, B6.7 CM2350 B148B, B6.7 G CMOH6.0 B125, B6.7N CM2380 B150B, B6.7S, F3.8 CM2350 F120B, F3.8 CM2350 F128C, F3.8 CM2350 F132B, F3.8 F102, G3.9, G5.9, G5.9 CM558, ISB (CHRYSLER), ISB CM2150, ISB CM2150 E, ISB CM550, ISB CM850, ISB/ISD4.5 CM2150 B119, ISB/ISD4.5 CM2150 SN, ISB/ISD6.7 CM2150 B120, ISB/ISD6.7 CM2150 SN, ISB/ISD6.7 CM2880 B126, ISB3.9 CM2220 B107, ISB4.5 CM2150, ISB5.9G CM2180, ISB6.7 2010 DCX PICKUP, ISB6.7 2013 DCX CHASSIS CAB, ISB6.7 CM2150 SQ, ISB6.7 CM2250, ISB6.7 CM2350 B101, ISB6.7 CM2350 B103, ISB6.7 CM2350 B142, ISB6.7 CM2670 B153B, ISB6.7 G CM2180 B118, ISBE CM2150, ISBE CM800, ISBE2/ISBE3 CM850, ISBE4 CM850, ISD4.5 CM2150, ISD6.7 CM2880 D101, ISF2.8 CM2220, ISF2.8 CM2220 AN, ISF2.8 CM2220 EC, ISF2.8 CM2220 ECF2, ISF2.8 CM2220 F101, ISF2.8 CM2220 F117, ISF2.8 CM2220 F122, ISF2.8 CM2220 F126, ISF2.8 CM2220 F129, ISF2.8 CM2220 IAN, ISF3.8 CM2220, ISF3.8 CM2220 AN, ISF3.8 CM2220 F103, ISF3.8 CM2220 F110, ISF3.8 CM2220 F116, ISF3.8 CM2220 F134B, ISF3.8 CM2220 IAN, ISF3.8 CM2350 F109, ISF4.5 CM2220 F123, ISG11 CM2880 G106, ISG11 CM2880 G108, ISG12 CM2880 G107, ISG12 CM2880 G109, ISG12 G CMOH6.0 G111, QSB3.9 30 CM550, QSB3.9 CM2880 B138, QSB4.5 30 CM550, QSB4.5 CM2150 B108, QSB4.5 CM2250 B131, QSB4.5 CM2250 EC, QSB4.5 CM2350 B106, QSB4.5 CM2350 B122			



SMALL | MEDIUM | LARGE

Cart	Ref No	Part Number	Part Description	Required	Remarks
------	--------	-------------	------------------	----------	---------

View My Cart

		EG9065	Engine Instrumentation		12V main station premium...(More)
					instrument panel. Option
					includes VDO premium gauges -
					tach/hour meter (alternator
					driven), engine oil pressure
					gauge, engine water
					temperature, voltmeter and a
					blank gauge to be replaced by
					customer supplied gauge if
					desired. Option also
					includes alarm modules
					(visual and audio) for low
					volt, high water temperature,
					low engine oil press and
					water in fuel, and the
					instrument panel pre-wired.
					This option is supplied in a
					kit.
<input type="checkbox"/>		3913594	Instrument Panel		
<input type="checkbox"/>	1	3913607	Pressure Gauge	1	0 - 150 PSI
<input type="checkbox"/>	2	3913605	Temperature Gauge	1	120 degrees C (250 degrees F)
<input type="checkbox"/>	3	3913609	Volt Gauge	1	8 - 16 volts
<input type="checkbox"/>	4	3913611	Gauge , Tach Hourmeter	1	0 - 4000 RPM Tach-Hour
<input type="checkbox"/>	5	3913621	Blank Gauge	1	
<input type="checkbox"/>	6	3913617	Visual Alarm	4	Visual Alarm Lights
<input type="checkbox"/>	7	3913624	Alarm Reset Switch	1	Alarm Reset Button
<input type="checkbox"/>	8	3913615	Ignition Switch	1	Key on and Culver Stern
					black boot push button for
					start.

<input type="checkbox"/>	9	3913603	Instrument Panel	1	Face Panel, 4 screws & shroud
<input type="checkbox"/>	10	3913622	Control Module Alarm	1	
<input type="checkbox"/>	11	3913619	Howler Alarm	1	Buzzer Alarm Songlert
<input type="checkbox"/>	12	3913602	Wiring Harness	1	For Gauges and electronic
					Control Module
<input type="checkbox"/>		3918205	Light Bulb	1	12V

© 2019 Cummins Inc., Box 3005, Columbus, IN 47202-3005 U.S.A.
Terms of Use and Disclaimers | Recommended System Requirements
Need Assistance? Please click on the Contact Us button in the top right corner of any page.